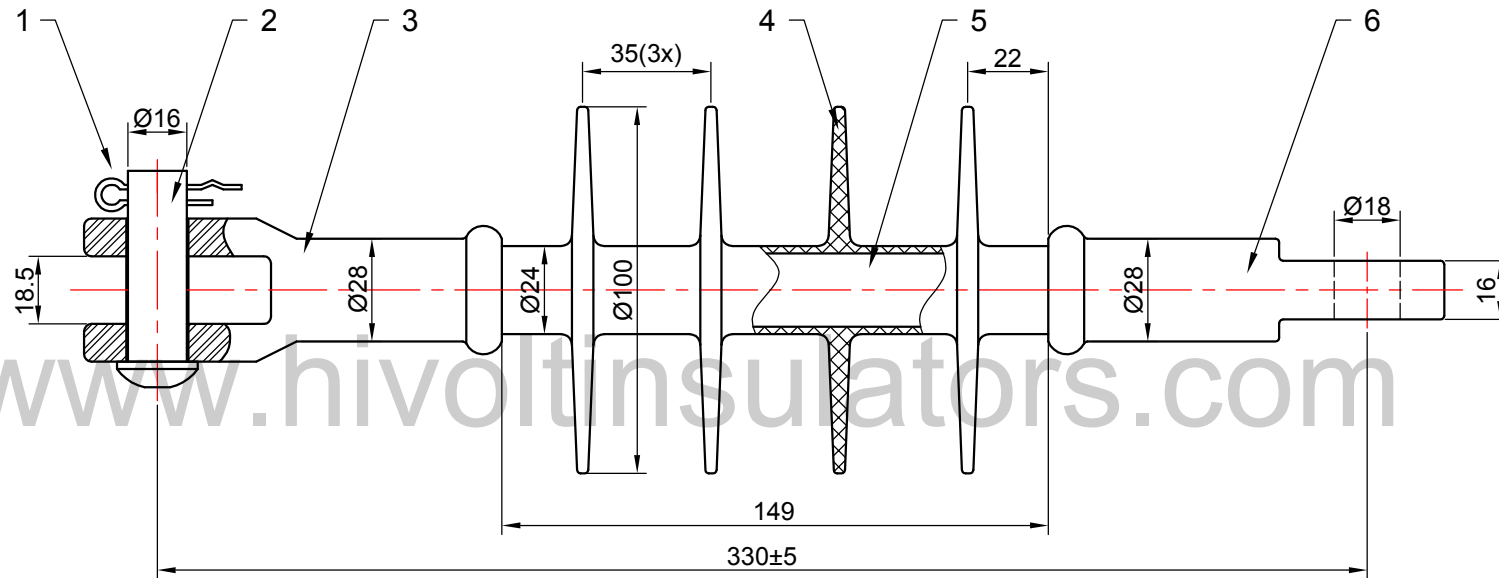


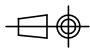

HS018115



TECHNICAL SPECIFICATION

- 1. Rated voltage 15kV
- 2. Norminal creepage distance 400mm
- 3. Power frequency flashover voltage (wet) 65kV
(dry) 90kV
- 4. Lightning impulse flashover voltage 140kV
- 5. Tensile strength 70kN
- 6. Torque strength 47.5Nm
- 7. Standards: ANSI C29.1, C29.13, B1.1, ASTM A153
- 8. Maximum level of radio interference at 1 MHz 10kV

ITEM NO	DESCRIPTION	MATERIALS	QTY	REMARK
6	Tongue	Forged steel	1	
5	Core rod	Glass fiber reinforced epoxy resin	1	
4	Weather sheds	Silicone rubber		Colour: Grey
3	Clevis	Forged steel	1	
2	Clevis pin	Forged steel	1	
1	Cotter	Stainless steel	1	R-shaped

Material	Weight		Title	Drawing No.		
					FXB-15/70 Composite insulator	HS018115
Drawn	2017-05-22	miaosongsong	UNIT	SCALE		COLOUR
Checked			mm	1:2	Grey	
Approved			 DALIAN HIVOLT POWER SYSTEM CO.,LTD.			