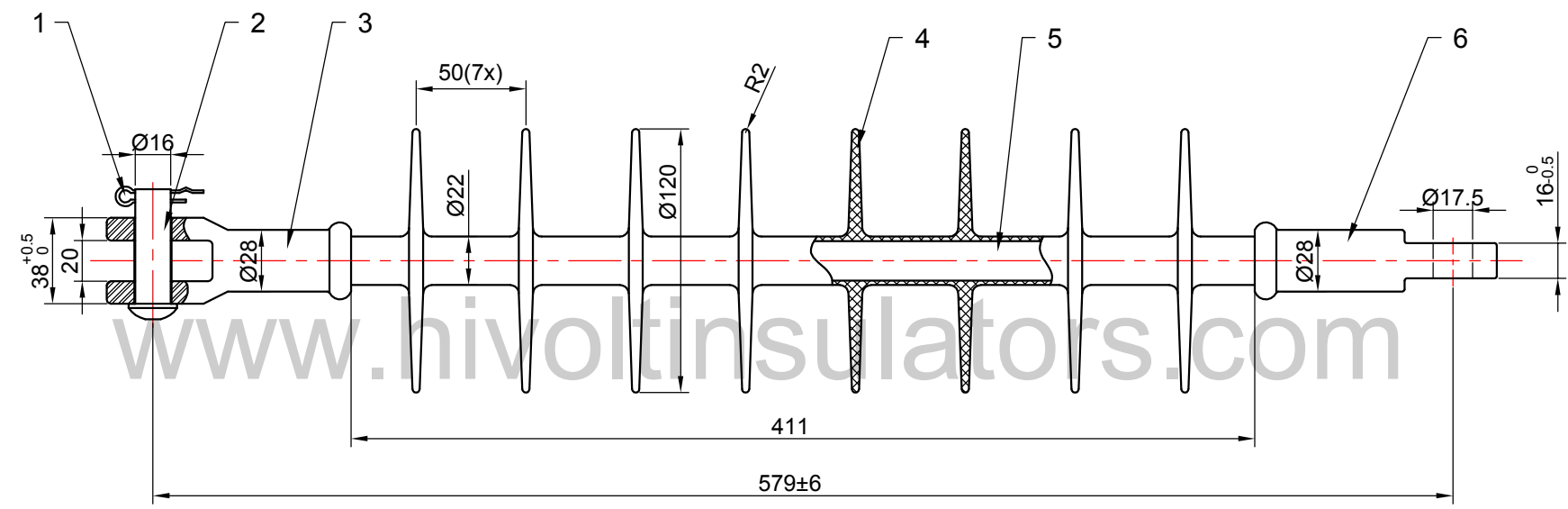


611810SH



TECHNICAL SPECIFICATIONS

1. Rated voltage		45kV
2. Norminal creepage distance		1125mm
3. Dry arcing distance		465mm
4. Power frequency flashover voltage	Wet	157kV
	Dry	174kV
5. Lighting impulse flashover voltage		330kV
6. Tensile strength		70kV
7. Torque strength		47Nm

Standard: ANSI C29.13, IEC 1109

ITEM NO	DESCRIPTION	MATERIALS	QTY	REMARK
6	Tongue	Forged steel	1	Hot galvanizing
5	Core rod	Glass fiber reinforced epoxy resin	1	
4	Weather sheds	Silicone rubber		Colour: Grey
3	Clevis	Forged steel	1	Hot galvanizing
2	Clevis pin	Forged steel	1	Hot galvanizing
1	Cotter	Stainless steel	1	R-shaped

Material	Weight		Title	Drawing No.		
				HS018119		
	Date	Name	FXB-45/70 Composite insulator	UNIT	SCALE	COLOUR
Drawn	2017-05-25	miaosongsong		mm	1:3	Grey
Checked				DALIAN HIVOLT POWER SYSTEM CO.,LTD.		
Approved						